

Gas Distribution Dynamic Nozzle

Part No. TS290-1000

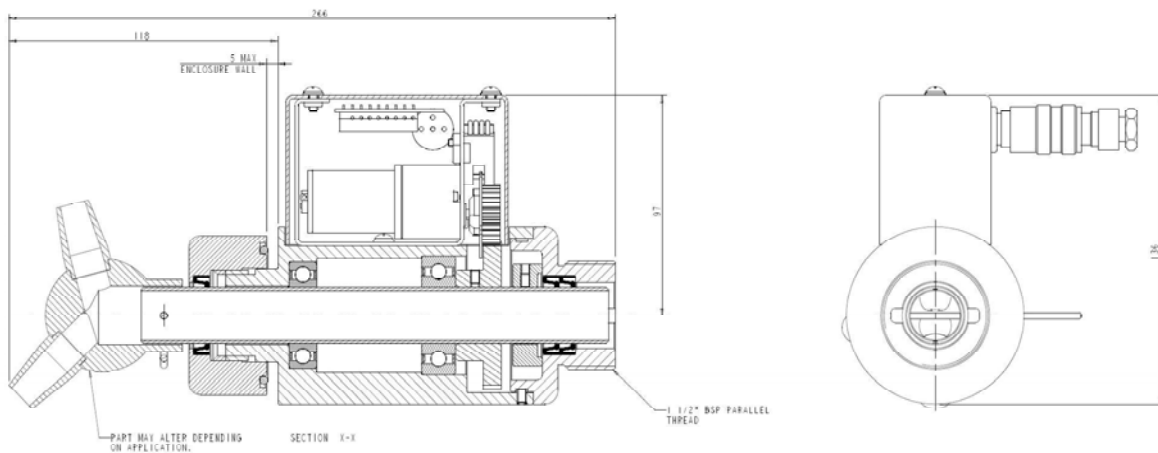
A unique patented system for effective gas distribution in isolators or awkward geometries is available. H₂O₂ vapour is delivered to the motorised nozzle, rotating in single fixed speed axis, releasing gas at a high velocity. The high energy and turbulence created by the nozzle system effectively distributes the hydrogen peroxide vapour over all surfaces.



The distribution nozzle comprises of a detachable



head that can be configured for the specific chamber volume and geometry. The main body of the nozzle includes a 24V DC motor assembly that is located externally to the chamber being decontaminated. The nozzle is supplied with a 1½ BSP male parallel thread as standard. The nozzle has a switch that provides a feedback signal to indicate that the nozzle is rotating. Power is normally supplied from the chamber. If only mains power is available, a universal switching power supply is available, 24V/10w, Part number 3090-100011. Nozzle weight is 5kg (without head) and requires a mounting hole of Ø44mm.



An extension tube, Part No. TS290-1401, is available to lengthen the nozzle shaft in order to position the head further from the nozzle mounting face.



Distribution Nozzle Head

The appropriate distribution nozzle head will be specified by BIOQUELL Engineering / Validation department according to the application and will be added to the sales order as a separate line item.



TS290-1014 - Gassing Ball & Clip

Alternative gas distribution head - for wide dispersal rather than high velocity

Distribution Nozzle Head Part Numbers

Part Number	Description	Number of Outlets	Diameter of Outlets (mm)
TS290-1014	Single Slot Ball	1	N/A
TS290-1200*	Multi point injection nozzle	2	11.0
TS290-1310	Single point injection nozzle	1	7.5
TS290-1320	Multi point injection nozzle	2	7.5
TS290-1330	Single point injection nozzle	1	9.0
TS290-1340	Multi point injection nozzle	2	9.0
TS290-1350	Single point injection nozzle	1	16.0
TS290-1360**	Multi point injection nozzle	2	16.0
TS290-1370	Multi point injection nozzle	2	12.5
TS290-1014	Slotted Ball injection nozzle	-	-

⌘ Standard for single nozzle applications using Clarus L

⌘ ** Standard for single nozzle applications using Clarus C in small rooms & chambers

⌘ Note that T1915-1200 is available as a compact version of TS290-1200, to improve headroom