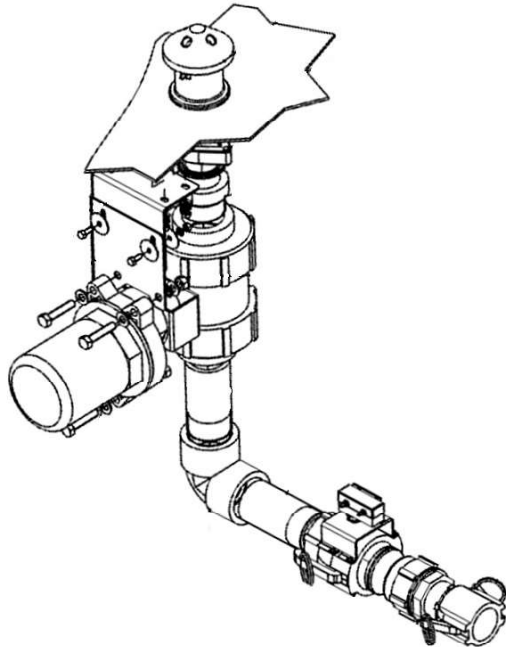


Gas Injection Nozzle and Automatic Valve Assembly

Part No. T2006-1000



The nozzle assembly is located in the work tray of the isolator and has been designed to fit in a variety of wall thicknesses. A SAFI-type automatic valve is suspended below the nozzle unit to isolate the inlet on command or when the gas supply hose is removed. The assembly includes adaptors that allow either 1" or 1.5" hose connection. Note that stirrer fans may be required to improve the vapour distribution.



Gas Return Port and Automatic Valve Assembly

Part No. T2006-2000

A fitting similar to the injection nozzle, used to extract fumigant from the enclosure.

Valve Control Module

Part No. T2006-3000

The operation of the valves on the injection and return assemblies is controlled by a separate electronic interface that connects between the PLC connections of the Clarus generator and the valves. This ensures that the valves are opened at the commencement of the cycle, and closed on completion, or on sensing a hose disconnection that could result in loss of containment.